

# Vectorworks® Fundamentals

Realize Your Most Inspired Visions







## Vectorworks Fundamentals

2

### Versatile: Create, Model, and Present with One Application

Move easily between tasks. From design concepts to construction documentation and every design phase in between, Vectorworks Fundamentals marries precision 2D drafting and flexible 3D modeling with state-of-the-art technology. Create, model, and present easily and precisely with one application. With Vectorworks Fundamentals, you can do it all.

Vectorworks Fundamentals boasts a comprehensive set of design tools to support your entire practice. You have complete functionality for:

#### Powerful Conceptualization

Find your inspiration and start drawing. Or if you would like, import hand sketches, pictures of the site, and even documents from other applications. Invoke ideas in 2D, and explore them in 3D with free-form models. Win the job, then invest the time in your design.

### Superior 2D

Make drawing fast and fun, no matter how complicated the design. Our streamlined drafting environment includes a suite of 2D drawing and editing tools that make quick work of any type of project. Explore 2D parametric constraints that maintain relationships between 2D objects. Use a full spectrum of dimensioning tools that support common standards. Take advantage of text and notation capabilities that make your drawings even more powerful. For your finishing touches, stylize the text with a choice of fonts and sizes, check your spelling, and extrude text into 3D.



Courtesy of run+, Offenbach



### Unique Presentations

Define and communicate your signature look with our advanced, high-end technology that's famous for helping our users achieve superior, graphically rich presentations. Tap into our large libraries of symbols and unlimited palettes of colors. Your style is not limited by "cookie-cutter" looks. Add gradients, image fills, stipples, and hatching. Easily import digital images and graphics. Unique page layout capabilities make it simple to arrange presentation boards.

### Renderworks

Plug in Renderworks™ to create photorealistic renderings or choose an artistic rendering option to make your scenes look hand drawn. Renderworks is seamlessly integrated—you won't waste time importing and exporting the model as the design changes.

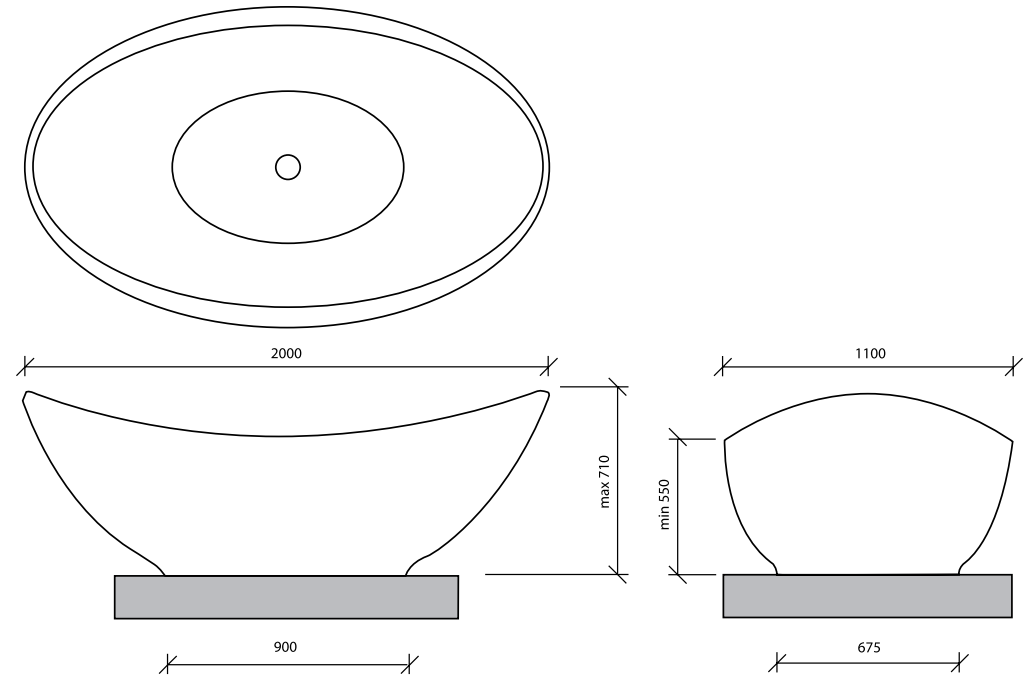


Courtesy of Design & Function, Raimondo Brenni, Le Landeron

## Vectorworks Fundamentals



Courtesy of Studio Matteo Thun, Mailand



3

### Intuitive: Work the Way You Think

Out of the box and out of the gate—Vectorworks Fundamentals was designed to think like you do, so you are up and running right away.

#### Easy-to-use Interface and Drafting Tools

Do what you like to do best—design. You won't waste time getting up to speed because Vectorworks Fundamentals' simple, customizable interface and what-you-see-is-what-you-get display make it easier to learn and use than other CAD applications. No matter what

you're switching from, Vectorworks Fundamentals' interface will be familiar. Make the leap from the board to the computer without any trouble. Vectorworks SmartCursor™ technology replaces manual drafting tools, so inexperienced CAD users can make the switch easily.

#### Tailored for Your Success

Work in tandem with the application. Vectorworks Fundamentals is designed to think the way you think. In addition to designing with lines, arcs, and circles, you can design with intelligent objects, surfaces, and solids. The objects are easy to edit and automatically display in both 2D and 3D views.



Courtesy of Ron Ruscio, Boykin Pearce Associates

## Vectorworks Fundamentals

4

### Smart: Make a Good Investment in Yourself

Affordable, customer focused, and proven worldwide—Vectorworks Fundamentals is a smart investment in you.

#### Affordable

You won't find another professional design application that packs so much into such a reasonable price. In one package, you get state-of-the-art tools and technology and the ability to work from conception to completion—a great value. You also get free software updates and affordable upgrades. With free technical support and reasonable training options, you get value far beyond your initial savings. We never force subscriptions, so you're free to upgrade when and how you choose. As your business grows, we add extra seats at a discounted price. We offer a lot of great value and no hidden fees.

### Customer Focused

Relax. We're here for you every step of the way. Your relationship with us doesn't end when you install the software. That's just the beginning. We provide many channels for you to get the information you need. If you'd like training, take advantage of our multiple offerings: onsite, online, or in the classroom. If a technical issue stumps you, contact our technical support team for help. You can also tap into our Vectorworks community with over 450,000 enthusiastic users worldwide, as well as user groups on the local level. E-mail listservs provide assistance around the clock, or you can use a service directory and job board to find help.

Vectorworks users often find themselves in Internet-based dialogues with our engineers and managers. We take pride in cultivating lasting relationships with our users, and we translate their feedback into positive product developments. With your input, we can continue to develop software that exceeds your expectations. After all, your success is our success.

### Proven Worldwide

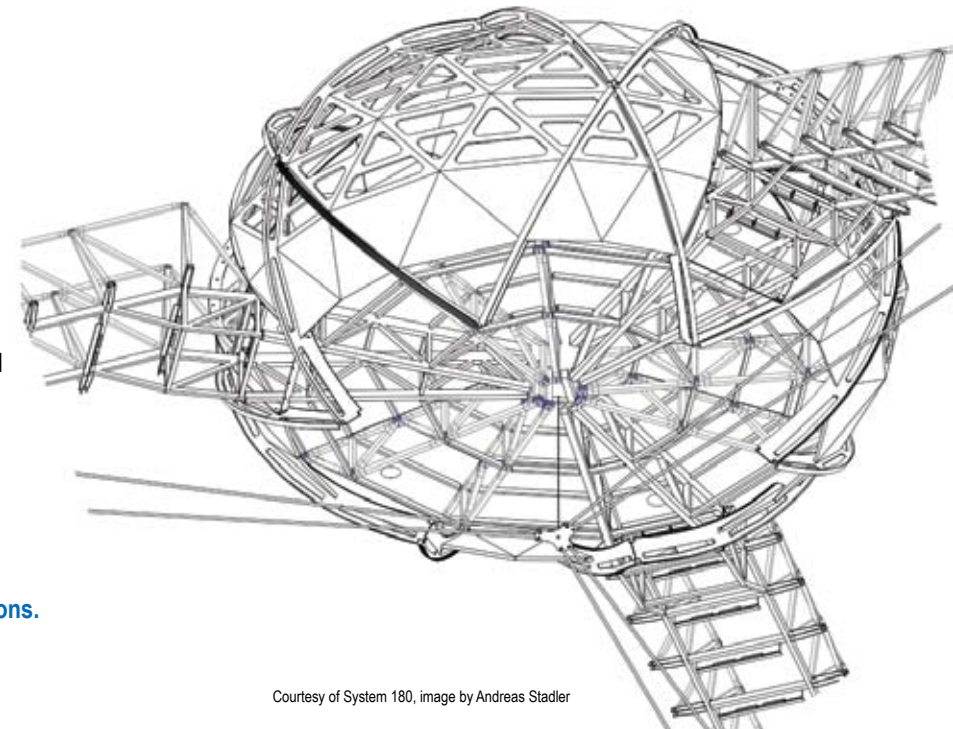
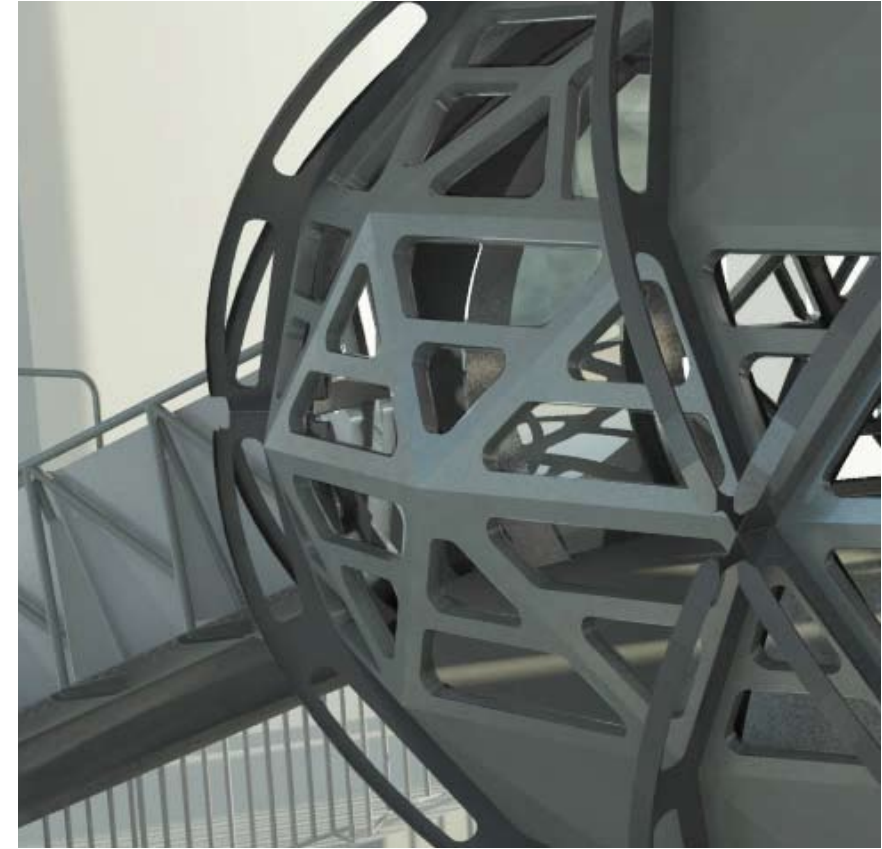
Be part of a long tradition of excellence. Vectorworks was founded over 20 years ago, and now counts more than 450,000 professional designers worldwide. We listen to our customers and use their feedback to create a product that continually exceeds their expectations, delivering superior design flexibility and world-class graphics.

Vectorworks is the best-selling cross-platform professional CAD software and the preferred application for world-renowned designers and artists, as well as countless others who move the design world forward every day.

Vectorworks is produced by Nemetschek North America, a wholly owned subsidiary of Nemetschek AG, which is the world's leading IT company for the design, construction, and management of buildings and real estate. Nemetschek software solutions are used by professional designers in 142 countries and are available in eight languages.

With Vectorworks Fundamentals 2010, the tradition continues.

**Vectorworks Fundamentals  
Realize Your Most Inspired Visions.**



Nemetschek North America, Inc.  
7150 Riverwood Drive, Columbia, MD 21046-1295 USA  
www.vectorworks.net | T 410-290-5114 | F 410-290-8050

©2009 Nemetschek North America, Inc.  
Vectorworks is a registered trademark of Nemetschek North America, Inc.  
Renderworks is a trademark of Nemetschek North America, Inc.

Parasolid is a registered trademark of Siemens PLM Software.

#### System Recommendations

Mac OS X 10.5.7 or later

QuickTime

Intel Core 2GHz or better

DVD-ROM drive (dual layer)

Screen resolution 1024 x 768 (XGA)

Display color depth 15 bit or higher

Windows XP SP 3

Windows Vista SP 2

QuickTime 7.5 to 7.6 (higher versions not recommended)

DVD-ROM drive (dual layer)

Screen resolution 1024 x 768 (XGA)

Display color depth 15 bit or higher

#### Vectorworks

RAM 1GB minimum, 2GB recommended

Hard drive space 10GB free

#### Vectorworks plus Renderworks

RAM 2GB minimum, 4GB recommended

Hard drive space 10GB free

#### Vectorworks Designer

RAM 1GB minimum, 2GB recommended

Hard drive space 10GB free

#### Vectorworks Designer plus Renderworks

RAM 2GB minimum, 4GB recommended

Hard drive space 10GB free

See [www.vectorworks.net/system-recommendations.php](http://www.vectorworks.net/system-recommendations.php)  
for updated information.